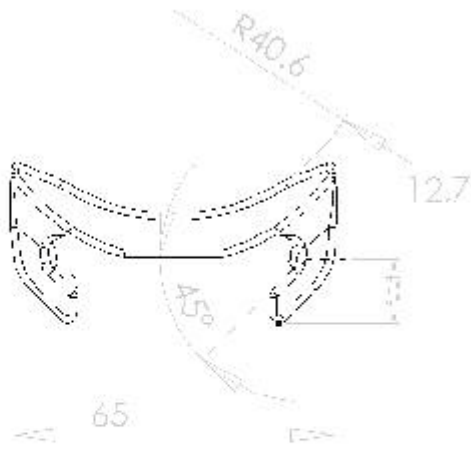
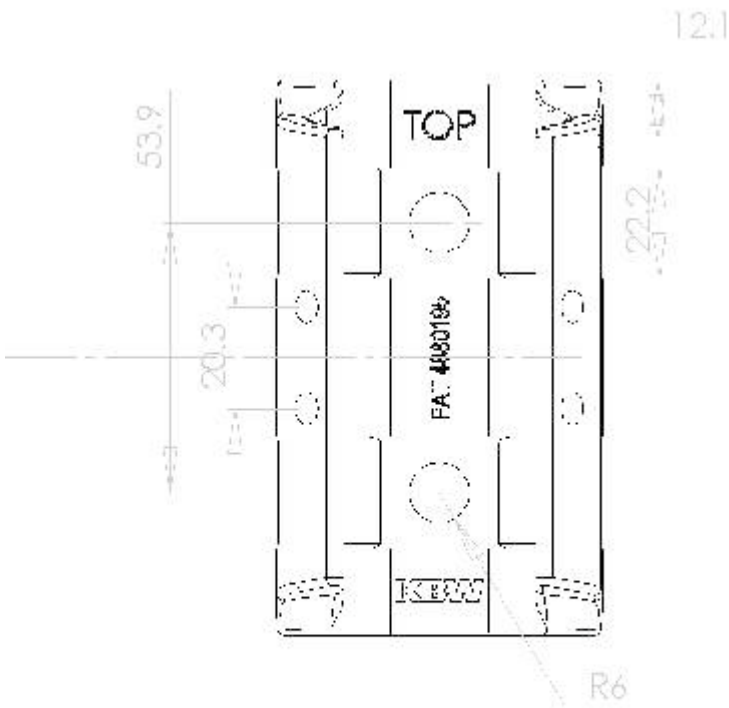
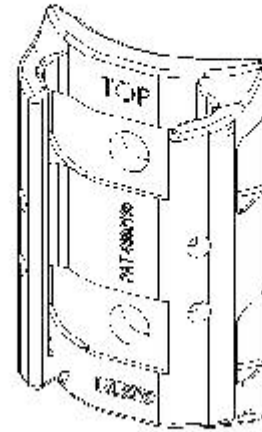


METRO AIROW TECH SPEC

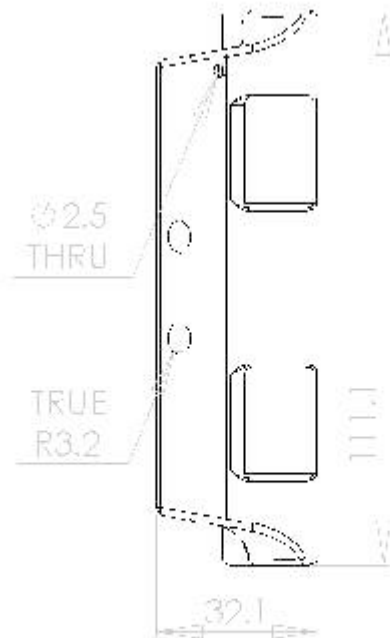
MAIN CASTING



TOP VIEW



FRONT VIEW



RIGHT SIDE VIEW

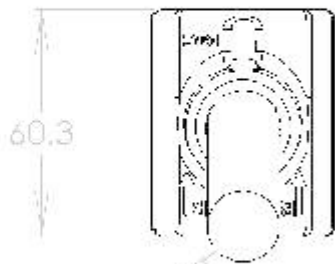
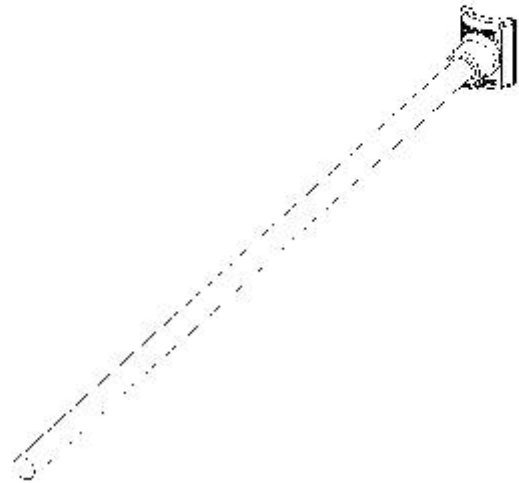
METRO AIROW TECH SPEC

1:1
29
1:1

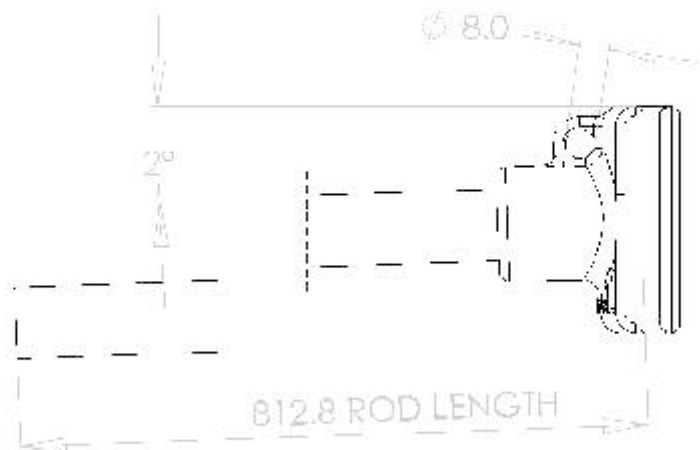


TOP VIEW

CANTED ARM

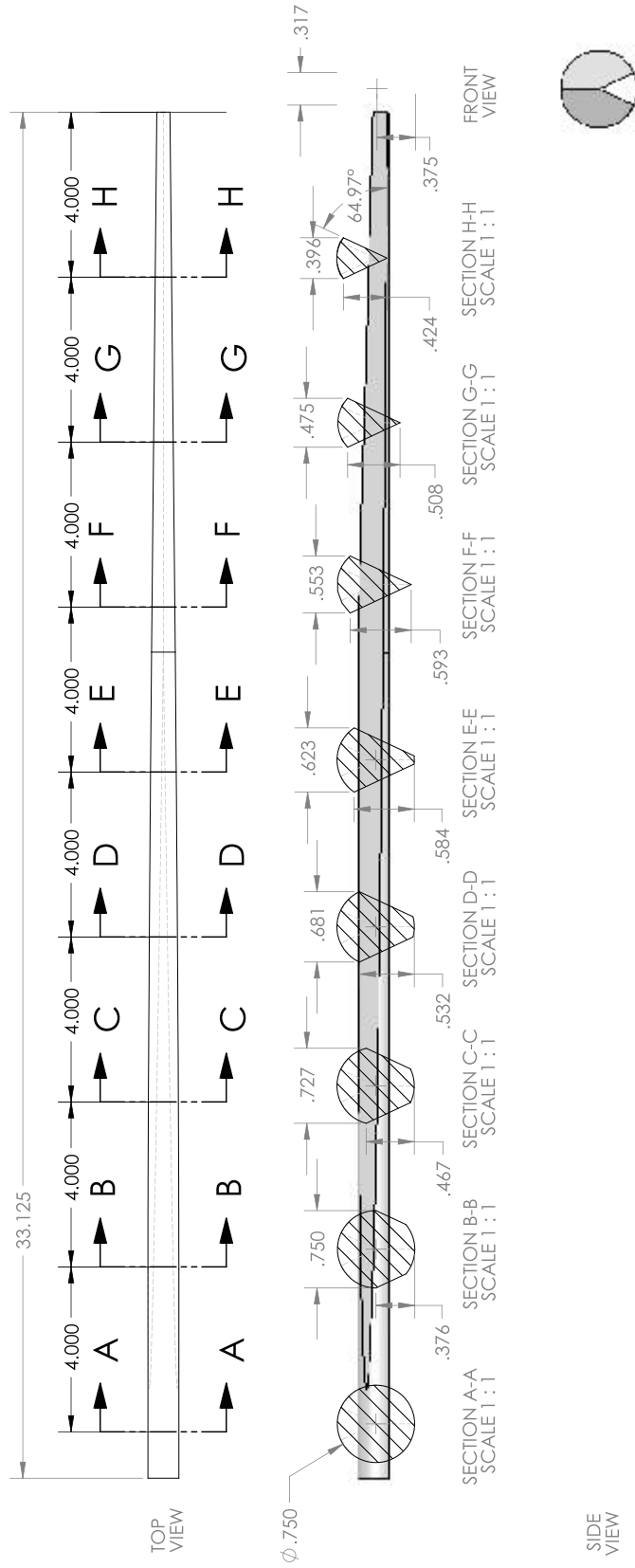


FRONT VIEW



RIGHT SIDE VIEW

METRO AIROW TECH SPEC



0.75" diameter Epoxy-resin fiberglass rod- CNC machined and coated with Innotek PolyArmor coating. (All sharp edges eased)