

**EN40  
COMPLIANT**



## INSTALLATION INSTRUCTIONS & WARRANTY STATEMENT

It is recommended that plastic sleeving is used between the brackets and the column. This sleeving can be purchased from us in 30m x 225mm rolls for you to cut to size.



### What you will need/Equipment check:

- 2 x Euro Chieftain brackets and 2 x arms
- 2 x Stainless spring retaining clips (included)
- 6 x Tamtorque bands
- Tamtorque T-Bar tool, plus drill driver bit
- 2 x Cable ties
- Cordless drill driver
- Protective shim material
- Snips
- Flat-head screwdriver
- Cherry picker / Lifting platform
- Lithium grease



Install the top bracket.

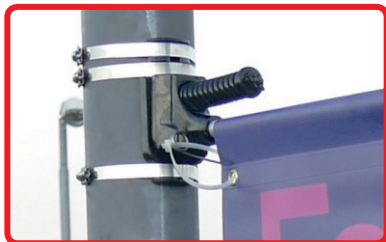
1. Measure the height for the top bracket at the location you want, position the bracket and wrap a bungee cord around the middle of the bracket to hold it in place on the column temporarily.

**NB: We recommend a minimum height of 3m from ground level for the bottom arm, so add the length of the banner to give you the top arm position as a guide. Make sure the spring is above the arm on the top bracket, and below the arm on the bottom bracket.**



2. Each bracket is installed onto the column using 3 tamtorque bands; 2 at the top of the bracket and 1 at the bottom (See Images).

3. The Tamtorque banding has tamper-proof fittings, so you must use the correct T-Bar tool/drill driver bit to tighten the banding.



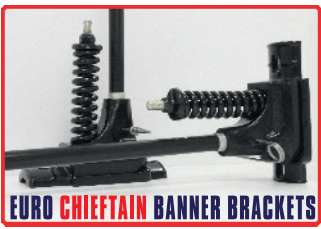
4. Tighten the bands around the column until you see that the bands are tensioned correctly and that they are all parallel to the bracket edge.



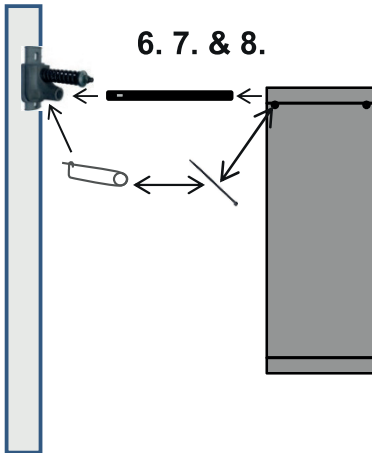
**Note: 3 bands around each bracket. The location of the bands is reversed for the bottom bracket; 2 at the bottom of the bracket and 1 at the top.**



5. Remove the bungee from the bracket once the banding is tensioned correctly.



**EN40  
COMPLIANT**

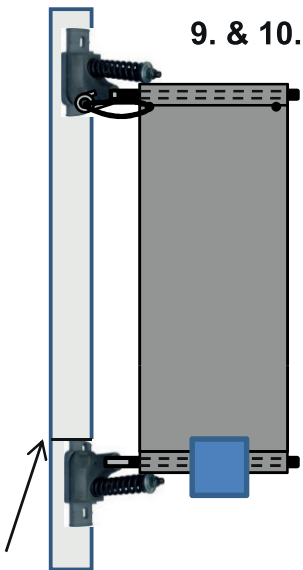


6. Slide the banner onto the top arm and insert end with the metal sleeve into the mouth of the bracket. Make sure the holes on the arm and bracket line up.

**IMPORTANT: Before inserting arms into the brackets, please cover the aluminium sleeve at the end of the pole with lithium grease, to allow easy removal in the future.**

7. Twist the fibreglass pole to align the holes in the pole to the one on the side of the mouth on the bracket. Insert the stainless retaining clip through the hole in the top bracket and the arm and secure it on the other side.

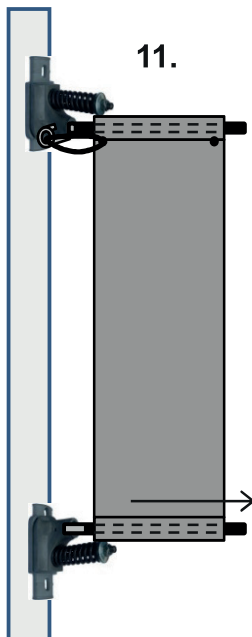
8. Put a cable tie through the eyelet in the banner and the circular 'loop' part of the stainless clip and cut off the excess.



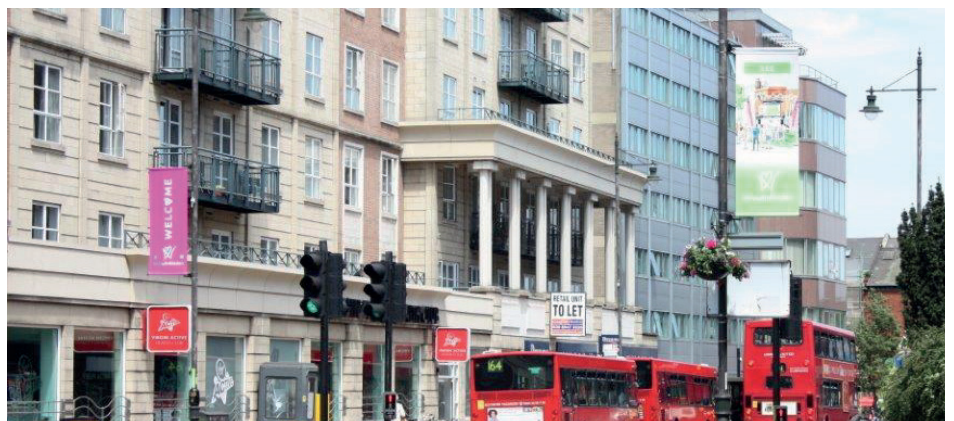
9. Insert the bottom arm into the bottom pocket of the banner and then into the bracket.

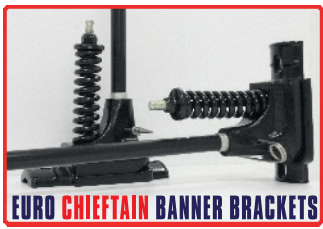
10. Holding the assembly from the middle of the banner, hold against the column and mark the position for the installation of the bottom bracket.

**Remember - bottom bracket, spring at the bottom!**

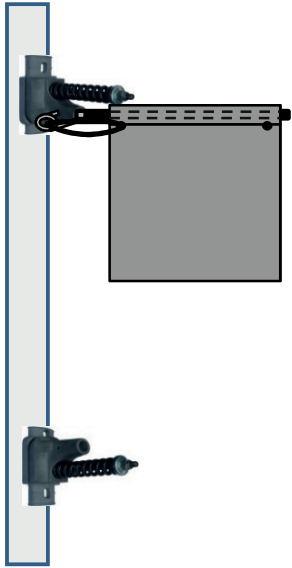


11. Remove the banner and arm from the bottom bracket.





**EN40  
COMPLIANT**



Install the bottom bracket on the marked line using Step 1 – 5,

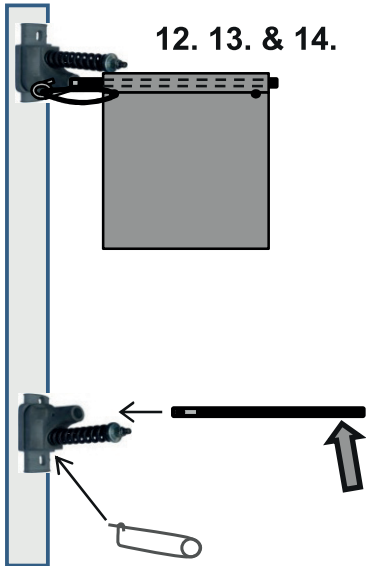
**Important: make sure the spring is at the bottom**

12. Insert bottom arm into the bracket.

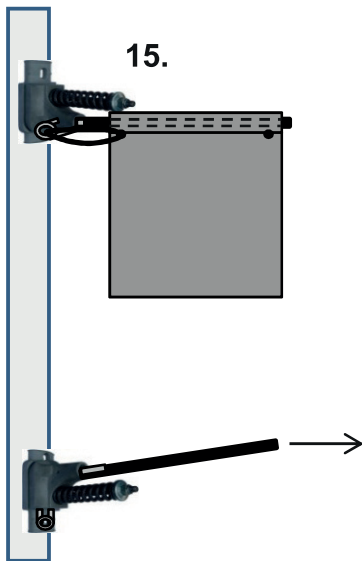
13. Push the arm upwards to part the 2 sections of the bracket.

14. Insert a screwdriver between the two pieces of the bracket (this will keep the bracket held apart and the arm at an angle upwards).

15. Remove the bottom arm.



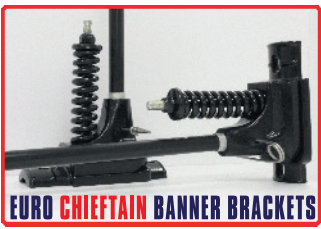
12. 13. & 14.



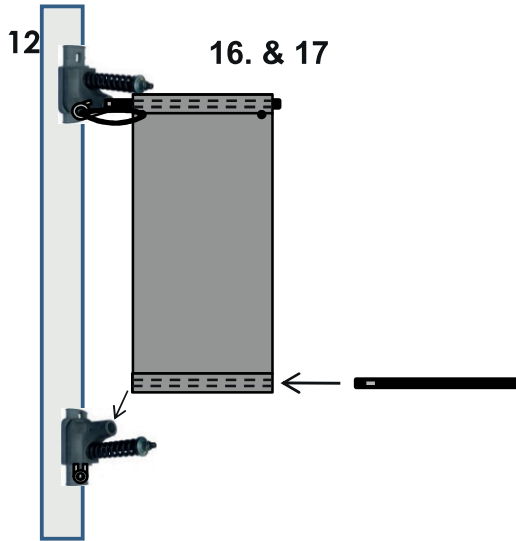
15.







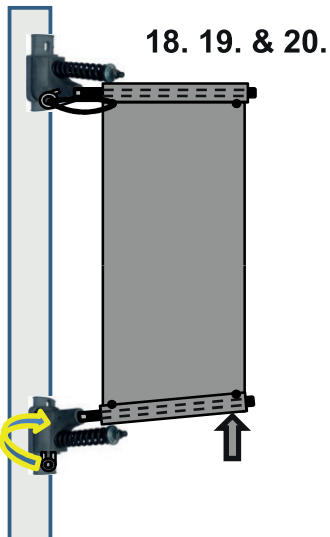
**EN40  
COMPLIANT**



16. Insert bottom arm into the banner pocket.

17. Insert the arm along with the banner into the bracket.

**IMPORTANT:** Before inserting arms into the brackets, please cover the aluminium sleeve at the end of the pole with lithium grease, to allow easy removal in the future.



18. Push the pole up.

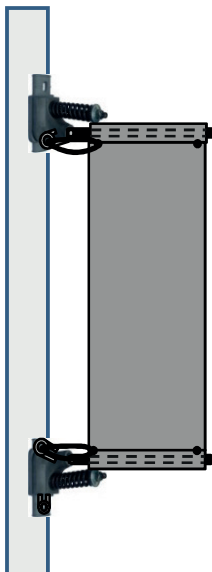
19. Remove screwdriver from the middle of the 2 brackets.

20. Insert stainless clip through the bracket and cable tie as you did the upper bracket.

Finish with zip tie through grommet and trim ends of the zip tie.

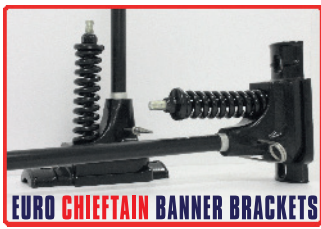
**Make Sure:**

- the brackets and fibreglass poles align vertically.
- the tension runs through the centre of the banner not the inside or outside edge. If not then adjust the bottom bracket up or down to achieve tension.



The Euro Chieftain Banner System is now installed.

Note: You should have tension down the middle of the banner; both edges of the banner should be slightly loose.



## WARRANTY STATEMENT

### Our Warranty and Your Responsibilities

The Euro Chieftain system will work well for many years, increasing banner life offering excellent banner longevity. However, maintenance is crucial and forms an integral part of the warranty requirements.

#### **Banding and Other Considerations**

Banding of all types require general maintenance, and even replacement, from time to time. We recommend only Tamtorque banding to be used with our systems. It is recommended that plastic sleeving is used between the brackets and the column. This helps to prevent damage to the painted surface of the column. This sleeving can be purchased from us in 30m x 225mm rolls for you to cut to size.

#### **Maintenance**

A visual check must be performed 2-4 weeks after the initial installation and re-tighten the banding if necessary. Thereafter visually check on the bracket condition and banding once a month and/or after any high wind storm, ensuring that there is no visible damage to the bracket and there is still a strong tension when moving the poles from side to side. It may well be necessary to tighten or replace the banding from time to time. Signgeer encourages customers to remove banners from brackets when a known storm on a scale of 12 (64mph or higher) is expected on the Beaufort wind force scale. A maintenance log must be kept as part of the warranty requirements and as a matter of health & safety.

#### **Warranty**

Signgeer provides a five year "Return to Base" warranty on the Euro Chieftain system against product design, manufacturing and its wind-spilling capabilities as outlined in our Technical Data sheets and adherence to our detailed installation procedure is an essential part of the warranty. During this warranty period, Signgeer will replace or repair the Euro Chieftain brackets. This warranty applies only to the original purchaser and is in lieu of all other warranties either expressed or implied for a period of four years from the date of purchase.

#### **Signgeer will not cover the following:**

**SHIPPING:** customer is to bear all shipping expenses to return the unit to Signgeer. **LABOUR & EXPENSES** associated with the removal or installation of replacement systems. **DAMAGE:** caused by improper installation, non/poor maintenance, misuse, neglect abuse, accidents, alterations, corrosive environments and any other abnormal service conditions including freak weather events. Our warranty only extends to the brackets and fixings (if purchased from us) and does not include banners. **WIND SPEED -** This warranty specifically does not include product damage due to weather conditions rated 12 and higher (64mph) on the Beaufort wind force scale.

#### **Claims against the warranty must include:**

Clear pictures of installations, including proper banding / fixing was carried out. Met Office weather report for the entire period that the system was installed, to show that there were no storms above 64mph inc gusts of wind (rather than just wind speeds) during the period while the brackets were installed. A copy of your maintenance log to prove proper checks were carried out as described above will be required.

**Signgeer customers recognize that performance related products like the Euro Chieftain require occasional maintenance including checking for loose banding and/or the replacement of bands.**

**It is the responsibility of the customer to satisfy themselves that the lampposts they are proposing to use with this system comply fully to EN40 regulations.**