



Big Bench

GB ASSEMBLY INSTRUCTIONS



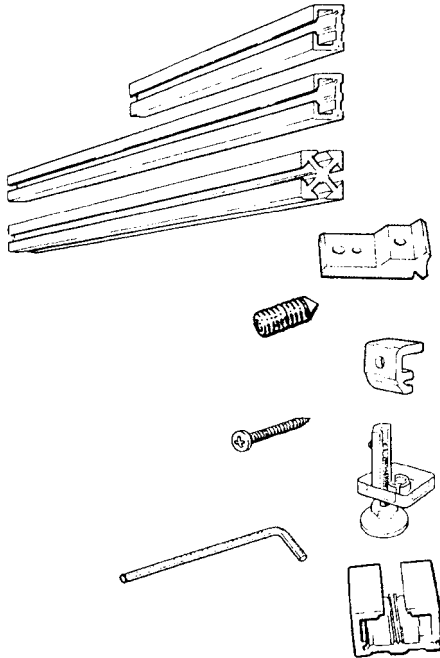
Thank you for choosing the Keencut Big Bench.
Every effort has been made to bring you a superbly
built product with the promise of many years of
good service.

Keencut - the world's finest cutting machines



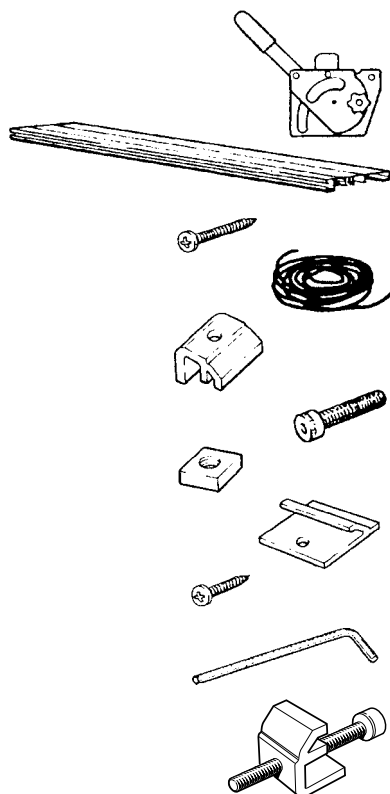
You should have;

Packed in the Rectangular Boxes:



ITEM	QUANTITY FOR BIG BENCH			
	1.0,1.5	2.0,2.5,3.0	3.5,4.0,4.5	5.0
Short beam	4	6	8	10
Long beam	4	8	12	16
Leg	4	6	8	10
Joining Bracket	16	28	40	52
Grub Screw	48	84	120	156
Worktop Fixing	4	6	8	10
Long Screw	4	6	8	10
Height Adjuster	4	6	8	10
4mm Hexagon Wrench	1	1	1	1
Spacer	1	1	1	1

Packed in the TUBE:



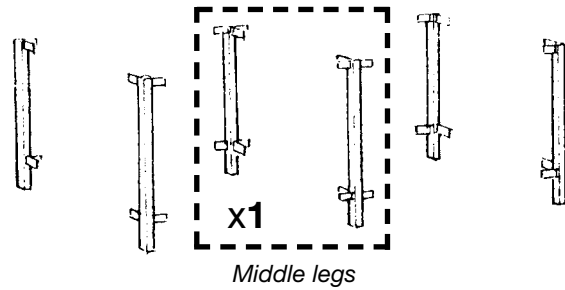
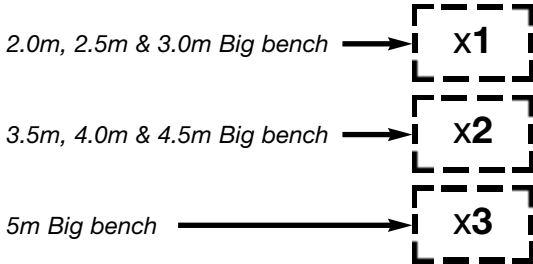
ITEM	QUANTITY FOR BIG BENCH			
	1.0,1.5	2.0,2.5,3.0	3.5,4.0,4.5	5.0
Lift & Hold (Left & Right)	(1,1)	(1,1)	(1,1)	(1,1)
Base Extrusion	1	1	1	1
Large Screw	6	6	6	6
Silicon Cord	1	1	1	1
Base Clamp	2	3	4	5
Cap Screw	2	3	4	5
Square Nut	2	3	4	5
Worktop Connector	2	4	6	8
Small Screw	2	4	6	8
5mm Hexagon Wrench	1	1	1	1
Levelling Bracket & Screw	2	4	6	8

The Order of assembly is important – the following diagrams are for quick reference only and are to enable the reader to familiarise themselves with the general assembly of the Big bench, the detailed assembly is described in 4 stages.

Stage 1

Fix the brackets to the legs.

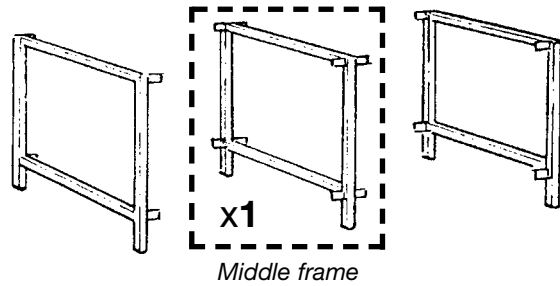
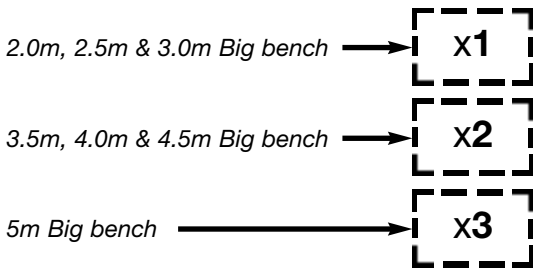
The 1.0m & 1.5m Big bench have only 4 legs, please disregard the middle pair of legs.



Stage 2

Construct the end frames.

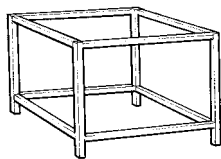
Disregard the middle frame if you are building a 1.0m or 1.5m Big bench.



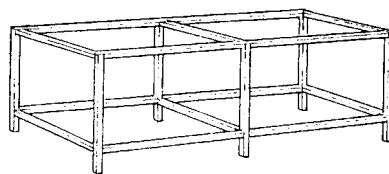
Stage 3

Join the end frames and cross beams to produce the bench.

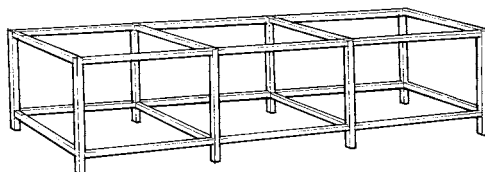
1.0 & 1.5 Big bench



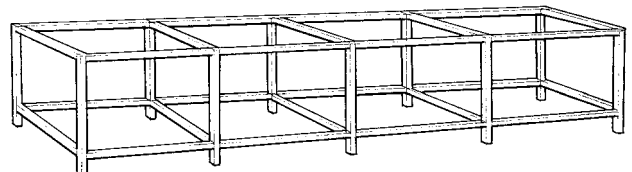
2.0, 2.5 & 3.0m Big bench



3.5, 4.0 & 4.5m Big bench

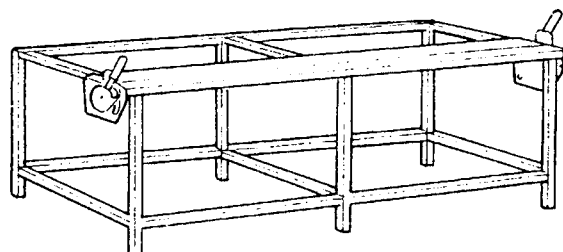


5m Big bench



Stage 4

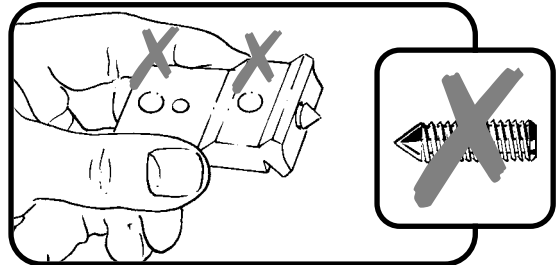
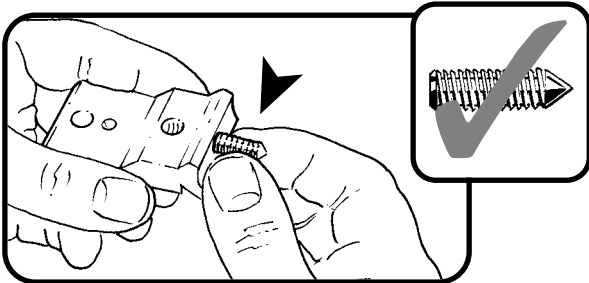
Attach the Javelin lift & hold mechanisms and base extrusion.



NOTE:
The following instructions will assume the Big bench has six legs (2.0, 2.5 or 3.0). If you are constructing a (1.0 or 1.5) Big bench please omit the **middle** frame.

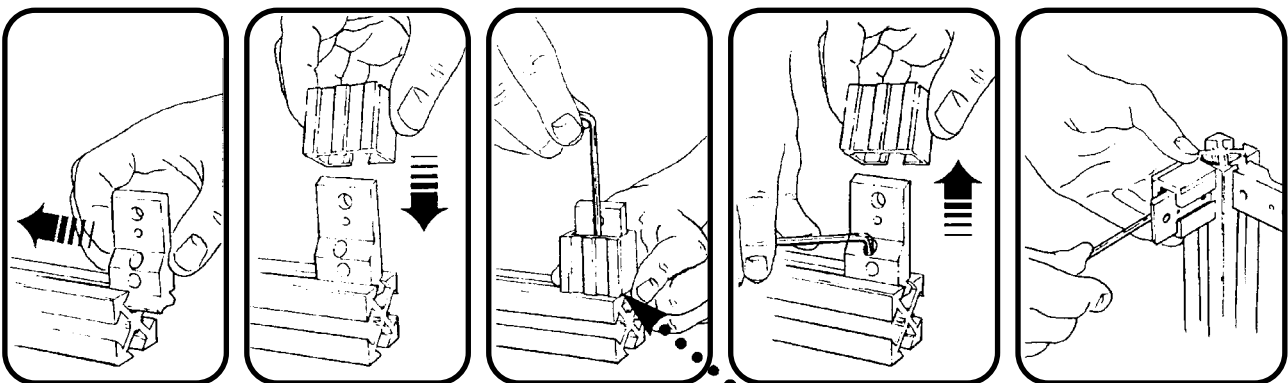
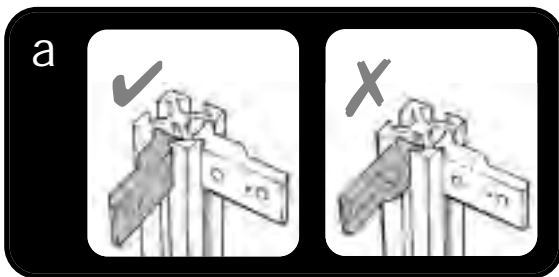
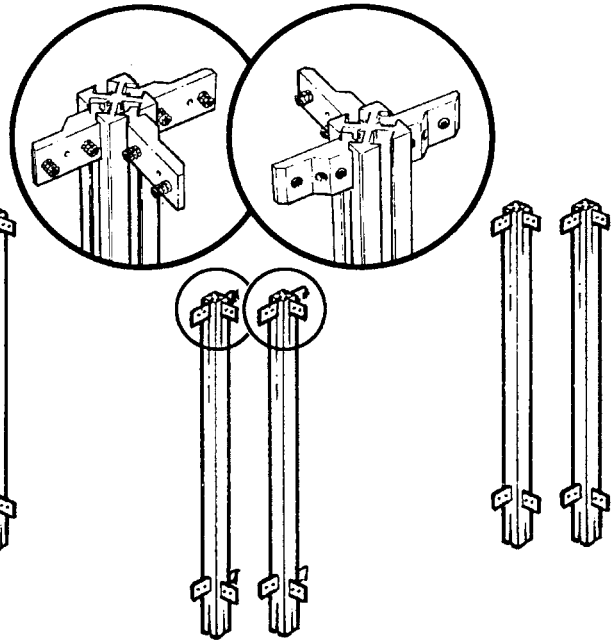
Stage 1

- Put a grub screw backwards into each of the joining brackets – **do not** place screws in the other holes.



- Using the spacer, fit the brackets to the top of each leg as shown – ensure:

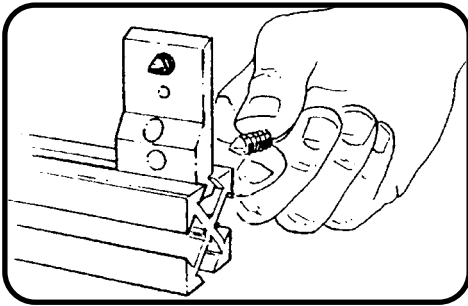
- The brackets are fitted the correct way round.
- The spacer is slightly above the top level of the leg, so when constructed the top level of the leg is not above the beam.
- The grub screws are tightened fully.



- Attach brackets to the bottom of the legs (and the same way round as shown above), using a tape measure or spacer to position them to suit your requirements.

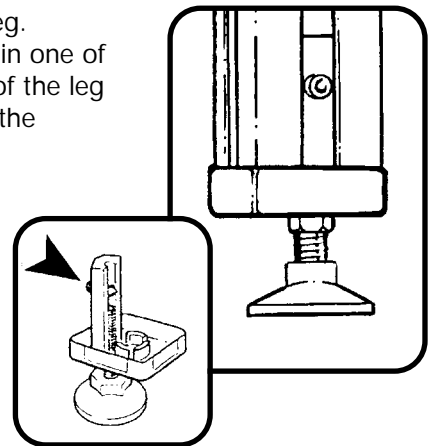


- Put grub screws in each of the two large holes of the bracket, only screw them in 2 or 3 turns.



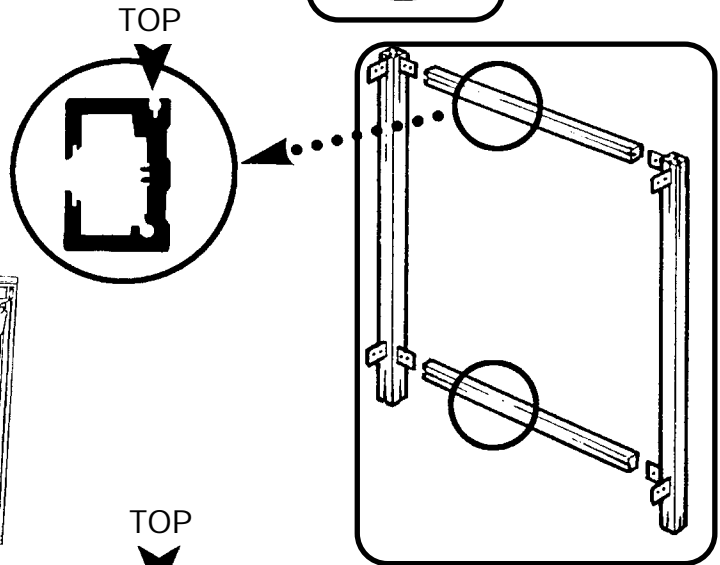
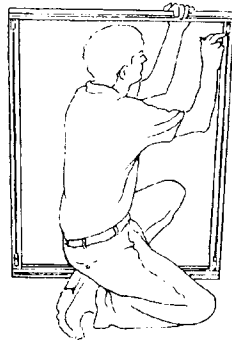
- Fix the height adjusters into the bottom of each leg. Position the adjuster in one of the internal grooves of the leg (ie. the same groove the brackets are fitted).

Position the bottom of the aluminium bracket level with the bottom of the leg and tighten the grub screw fully.



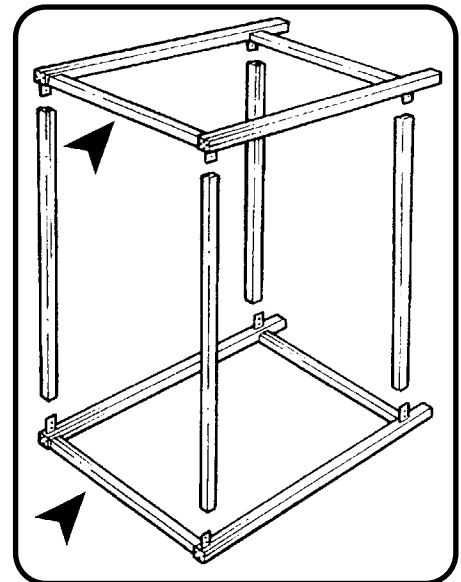
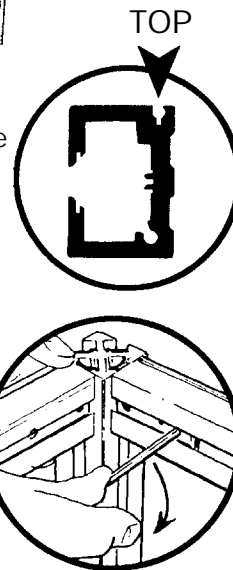
Stage 2

- Fit the two short beams between each pair of leg assemblies ensuring the small groove in the beam is uppermost.
- Pulling the two legs together (to close any gaps between the end of the beam and the legs) tighten all the grub screws.



Stage 3

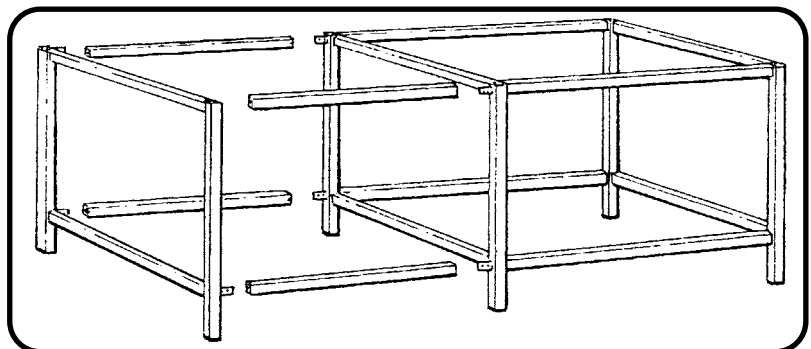
- Place one end frame on the floor with the brackets pointing upwards and position a long beam over each bracket (again ensure the small groove in the beam will be uppermost).
- Place either:
the other end frame (if you are constructing a 1.0m or 1.5m big bench)
or
The centre frame (if you are constructing a 2.0m, 2.5m or 3.0m Big bench)



over the beams and tighten the grub screws ensuring there are no gaps between the beam ends and the legs.

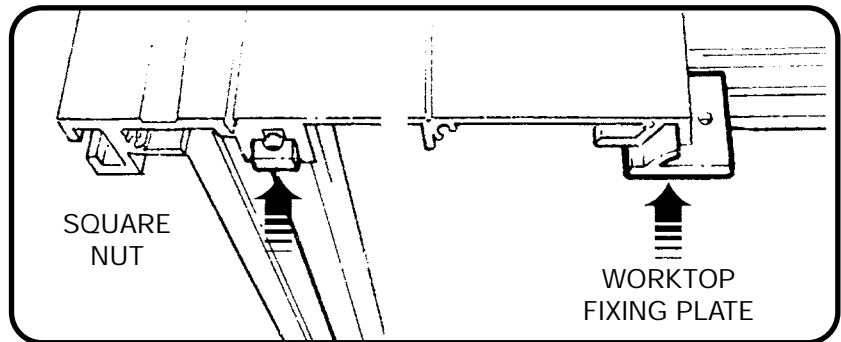
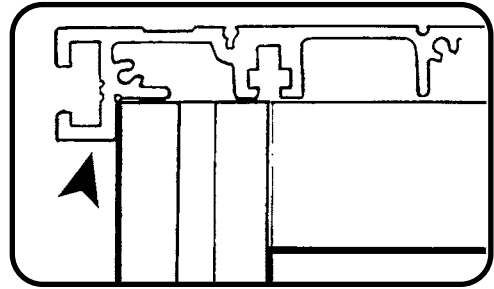
- 2.0m, 2.5m or 3.0m Big bench only**

Stand the frame onto its feet and position the remaining long beams between the frame and the remaining end frame, tighten all the grub screws again ensuring there are no gaps between the beam ends and the legs.

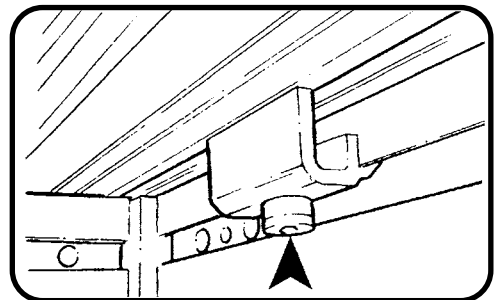


Stage 4

1. Place the base extrusion on the edge of the bench so the lip hangs over the front edge of the legs. Slide the square nuts into the recess as shown and place one near to each leg. Slide the workshop fixing plates into their groove and position them at approximately equal spaces along the base extrusion.

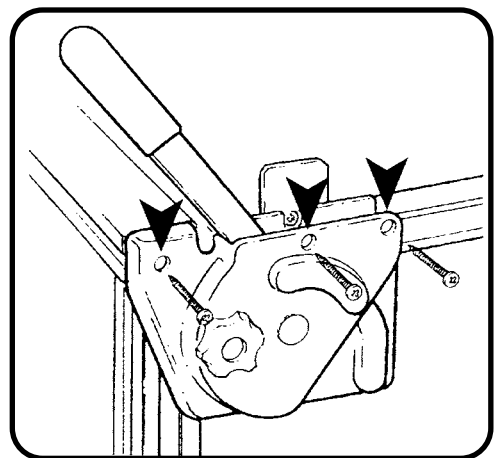


2. Using the 5mm hexagon wrench fix the base extrusion in place on the bench with the base clamps and cap screws.



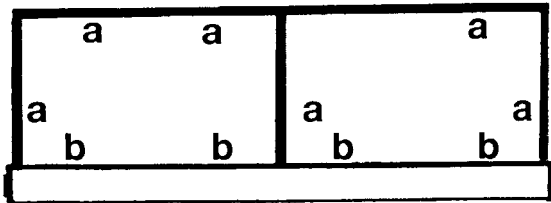
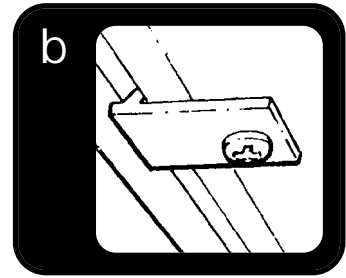
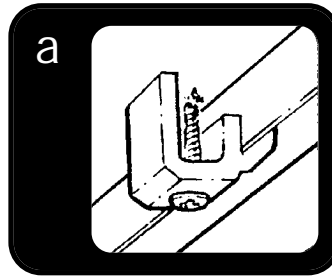
View from underneath

3. Fix the lift & hold mechanisms to each end of the base extrusion with three self tapping large screws on each end, **do not** at this stage tighten the screws fully.



Stage 4 – cont'd

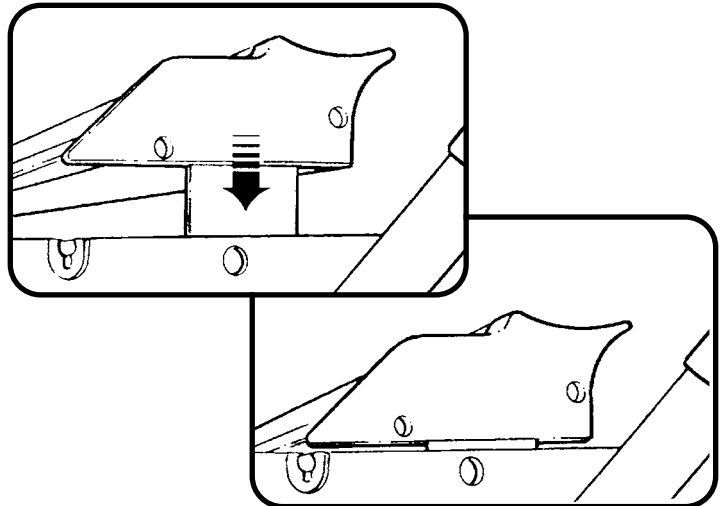
4. Fix the Worktop in place using
 - a) The large workshop fixing and large screws as shown.
 - b) the small screws to fix the worktop fixing plates.



Plan View

Position brackets approximately as shown

5. Position the Javelin cutter onto the two lift & hold mechanisms by sliding the tongue into the slot inside the end caps of the Javelin.

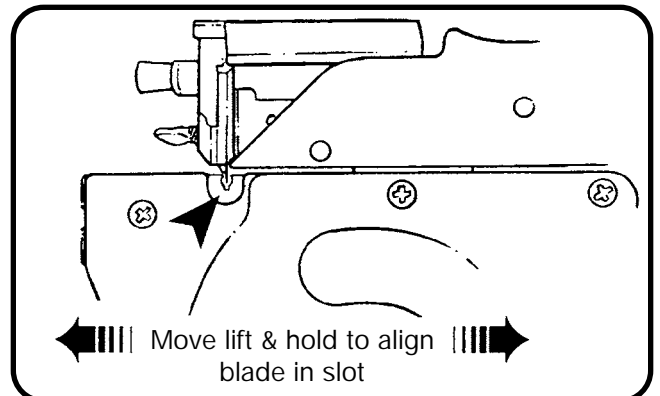


NOTE:

The friction knob on each mechanisms can be adjusted to hold the Javelin at any height which makes accurate lining up easier when in use.

6. Move the cutting head to one end of the Javelin and depress the blade, adjust the position of the lift & hold mechanism so the blade runs centrally in the slot on the base extrusion, tighten the three screws to fasten the lift & hold.

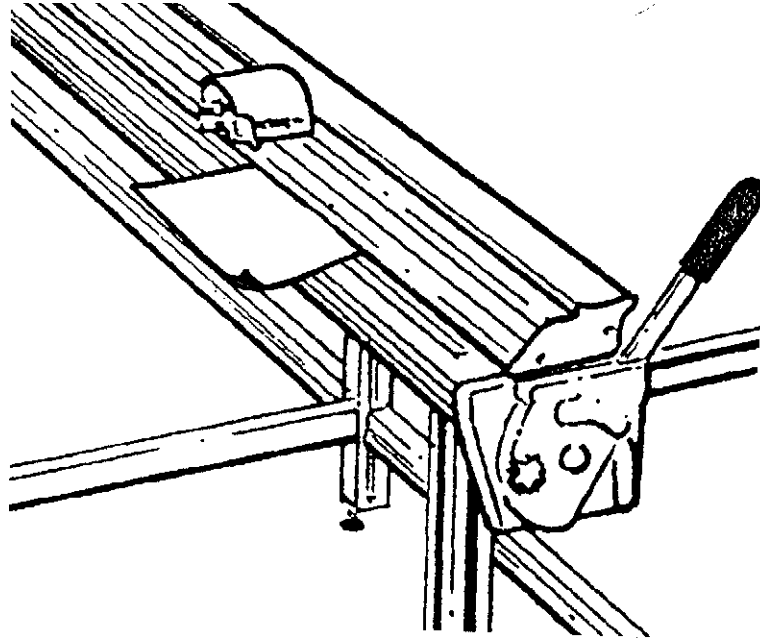
Repeat for the other end.



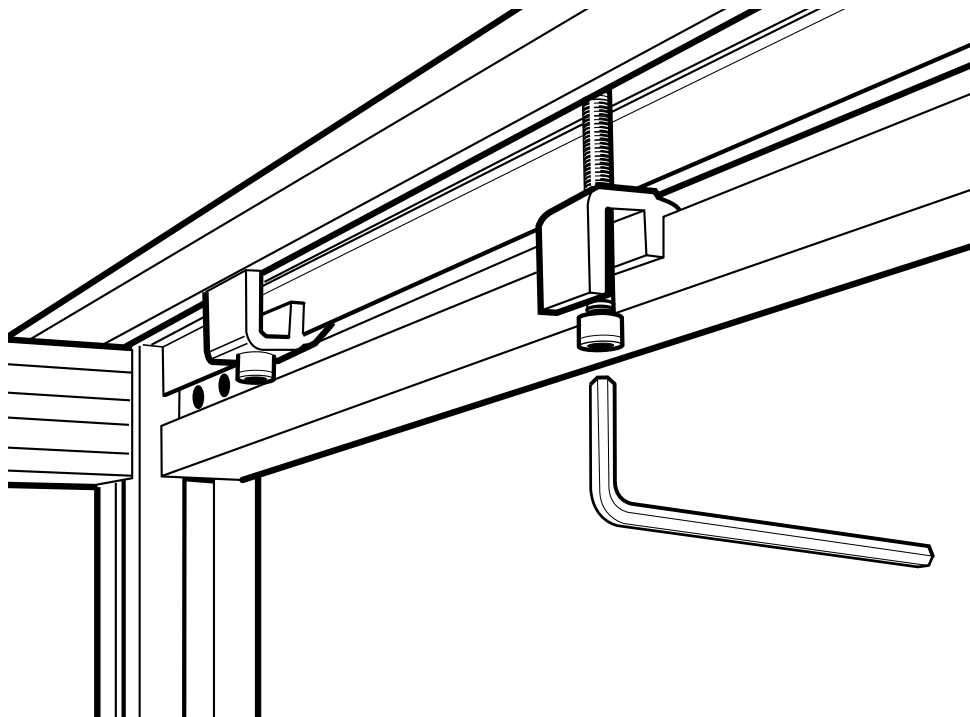
7. Position the bench in place and using an accurate spirit level adjust the feet to ensure the top surface of the table is flat. If the table is not flat, particularly along its length, there may be difficulty in holding the workpiece in place along the full cut length.

8. If a thin film or paper is being cut check that the material can be gripped along the full length of the bench. Pass a small piece of the material about 25cm (10") wide under the cutter and ensure it is held in place, carry this out along its full length.

Should the cutter not grip adjacent to a bench leg, adjust the foot to slightly raise that part of the bench and test again.



Should the paper not be gripped by the cutter bar between the legs, place a levelling bracket and screw in the beam on the underside of the base extrusion. Position it in the middle of the area that is not clamping and tighten the screw until the paper is clamped efficiently. Check the whole cutter bar is clamping, add more levelling brackets and adjust if necessary.





KEENCUT Limited

Baird Road, Willowbrook Industrial Estate,
Corby, Northamptonshire UK, NN17 5ZA.
Tel: +44 (0) 1536 263158 Fax: +44 (0) 1536 204227
E-mail: info@keencut.co.uk

KEENCUT INC. (North American Sales)

366-3560 Pine Grove Ave. Port Huron, Michigan,
48060 USA.
Toll Free: 1 800 240 KEEN (5336)
Tel: 1 (519) 652 0970 Fax: 1 (519) 652 0396
E-mail: northamericansales@keencut.com

www.keencut.co.uk

INSPIRED DESIGN - PRECISION ENGINEERING